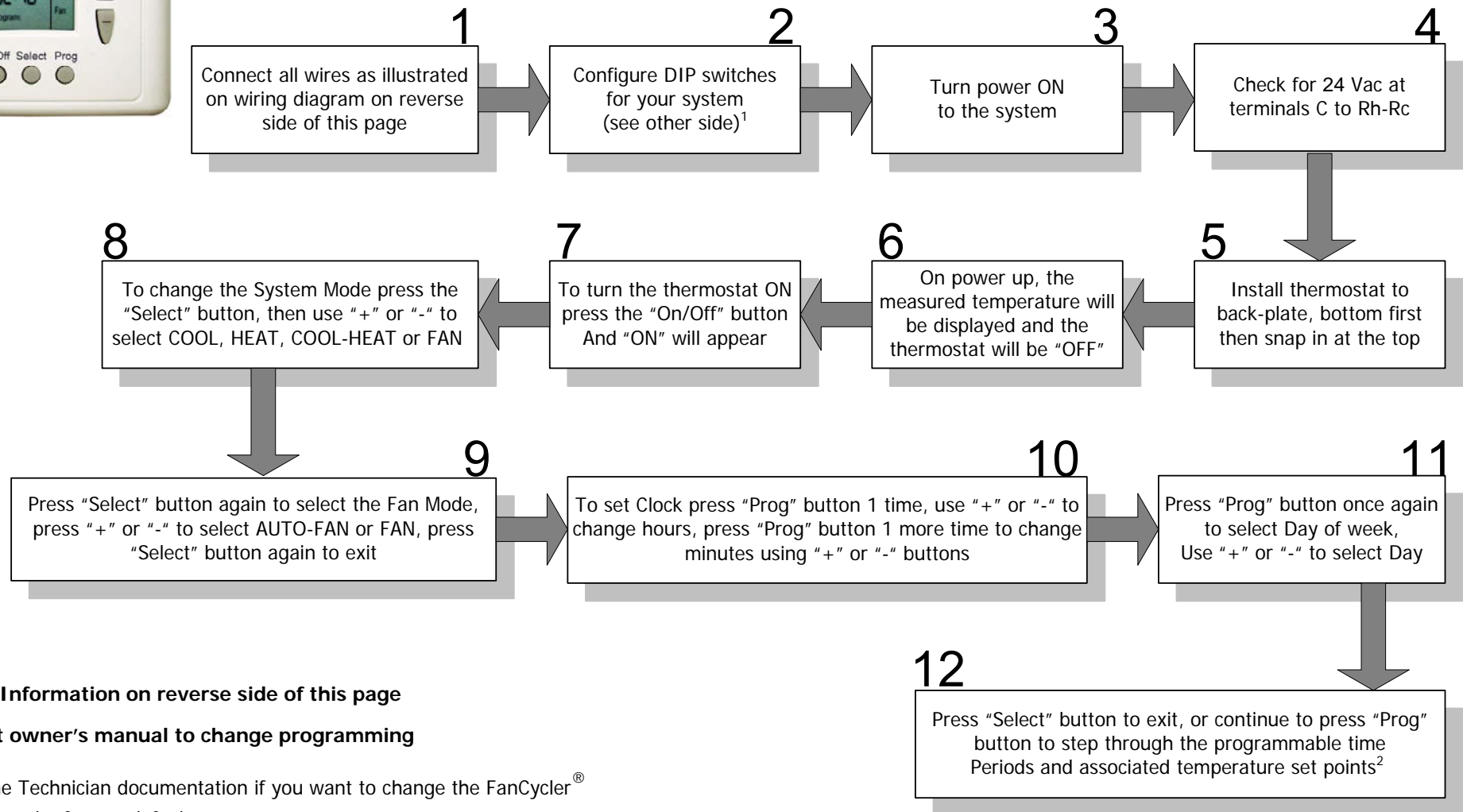




# ERV-24-SUPER- Thermostat with FanCycler® Quick Start and Wiring Instructions for Installers

# Quick Start



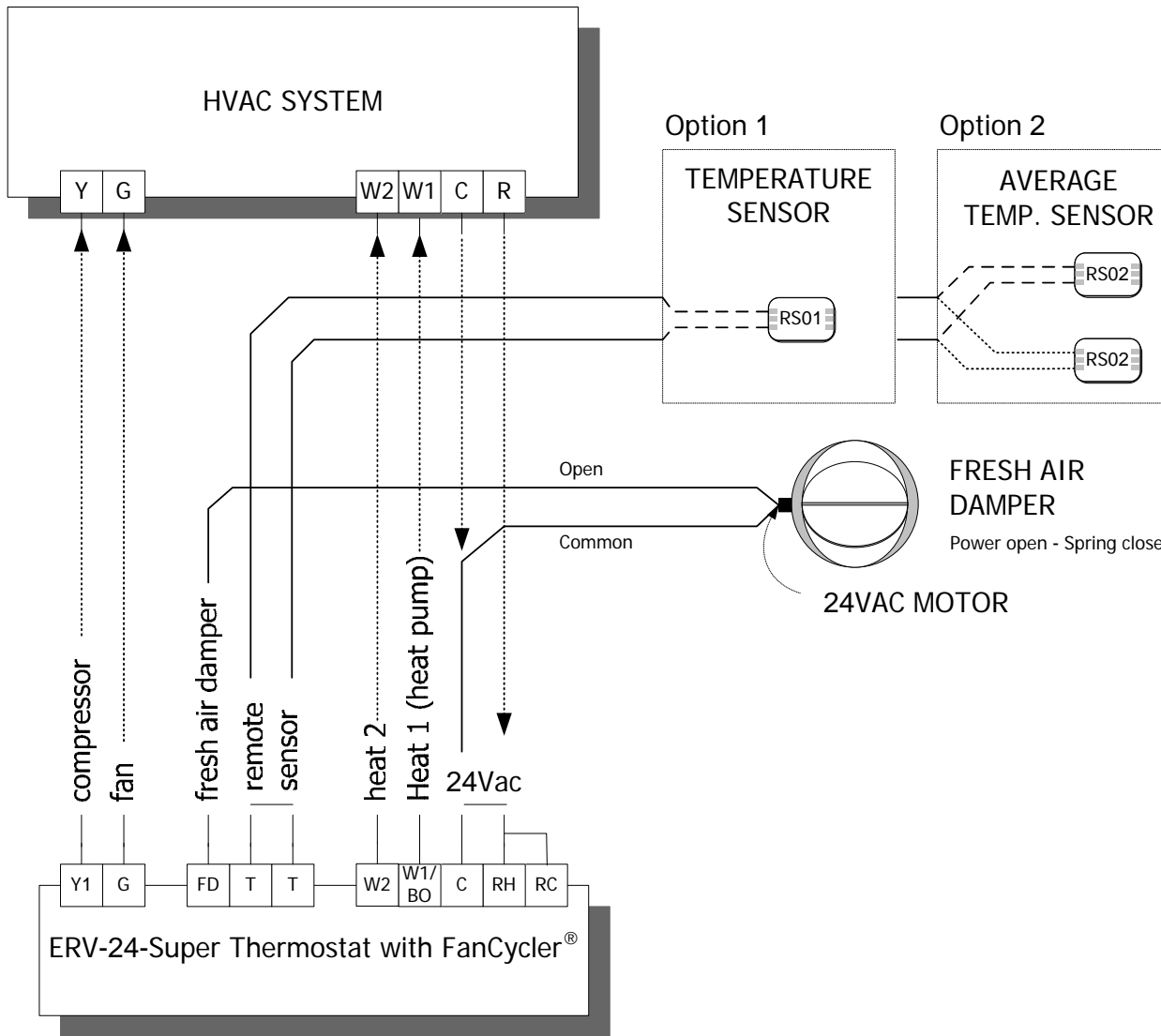
1 **Wiring Information on reverse side of this page**

2 **Consult owner's manual to change programming**

Refer to the Technician documentation if you want to change the FanCycler® settings from the factory defaults



Pipersville, PA 18947 USA  
Phone: 800-838 7435 or 215-766 1487 Fax: 215-766 1493  
Email: info@scilc.com - www.scilc.com



**TECHNICIAN SETTINGS:**

Programmable / Non-Programmable

Programmable capability – DIP switch 2 in “OFF” position.  
 Non-Programmable – DIP switch 2 in “ON” position.  
 Note: This is a “hard” Program on/off setting.  
 The Program can also be “soft” toggled – see operating manual for more information.

**Thermostat LOCK feature**

The thermostat may be locked to avoid occupant tampering.  
 To lock or unlock the thermostat buttons, with the thermostat turned ON, press and hold the “Select” button for 15 sec.

**Temperature Offset setting**

The Offset is only to be used for field calibration of the measured temperature if necessary.  
 Press and hold the “On/Off” button (4 sec.) to turn the thermostat OFF. Set temperature to 60°F, and wait until display stops flashing.  
 Press and hold “Select” button (6 sec.) until “Offs” and digits appear on display. Change the offset (a number between -6...+6) for measured temperature calibration using the “+” and “-” buttons.  
 Press “Select” button again to return to normal display mode.

**Complete reset**

For RESET to factory firmware defaults – move JMP1 to position B, Wait 15 seconds, then return JMP1 to position A

**DIP SWITCH AND JUMPERS CONFIGURATION**

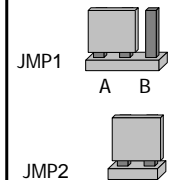
| FUNCTION                            | DIP Switch settings |     |     |                 |     |     |
|-------------------------------------|---------------------|-----|-----|-----------------|-----|-----|
|                                     | 1                   | 2   | 3   | 4               | 5   | 6   |
| Internal sensor <sup>1</sup>        | ON                  | x   | x   | x               | OFF | ON  |
| Remote sensor                       | OFF                 | x   | x   | x               | ON  | OFF |
| HC                                  | x                   | x   | OFF | x               | x   | x   |
| HP                                  | x                   | x   | ON  | x               | x   | x   |
| 3 min compressor delay <sup>1</sup> | x                   | x   | x   | OFF             | x   | x   |
| No compressor delay                 | x                   | x   | x   | ON <sup>2</sup> | x   | x   |
| Programmable <sup>1</sup>           | x                   | OFF | x   | x               | x   | x   |
| Non-Programmable                    | x                   | ON  | x   | x               | x   | x   |

x = disregard  
<sup>1</sup> = factory defaults  
<sup>2</sup> = FOR TEST ONLY



Default DIP switch Configuration from factory

**DEFAULT**



Protected by U.S. patents: US 5,547,017; 5,881,806; 6,431,268; CA 2,245,135